



OEM Ability!
Ready For Cooperation!

RUSSIAN MANUFACTURER
OF PROCESS CONTROL INSTRUMENTS



ELEMER-100

Pressure transducers with HART protocol



All types of pressure

- Lower pressure range limit — 0,04 kPa
- Upper pressure range limit — 100 Mpa

Accuracy — down to ±0,075 %

Temperature error — ±0,08 %/10 °C

Range scaling — 1:60

Number of ranges — 10

Areas of use options

Intrinsic safety (Ex), Explosion proof (Exd)

Operating temperature — -55 to 70 °C



316L, hastelloy, tantal, monel

High measurement stability sensors

- Silicone piezoresistive sensors using silicone-on-ceramics technology
- Overload capacity — 500 % of maximum scale value
- Corrosion-resistant membranes: 316L, hastelloy, tantal, monel, PTFE, gold
- Static pressure factor — down to 0,01 %/1 MPa
- Long term stability — 0,075 %/3 year



Continuous indicator rotation up to 330°

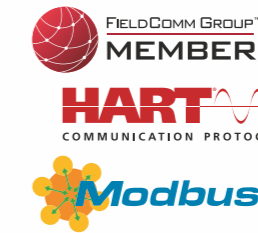
LCD display with bar graph scale and backlight

- Engineering pressure units
- Bilingual menu (Eng+Rus)
- Parameter configuration
- Password protection
- Hart-modem/communicator support



Spring type terminal block

- Current loop test
- Built-in resistor for Hart mode
- Factory settings button



Output

4-20 mA, HART, Modbus RTU



External hermetic buttons

Transmitter configuration in explosion-hazardous area



EMC immunity

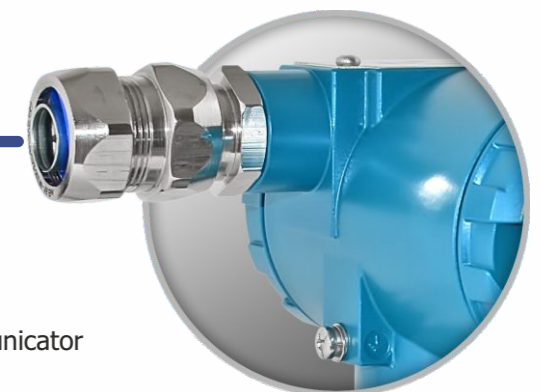
Radiated radio-frequency EM field, conducted radio-frequency EM field, electrostatic discharge, fast transient/burst, surge immunity

High EMC level/performance feature

Vibration proof (150 Hz, 2 g, 0,35 mm)



Support HART modem and HART communicator



ELEMER-100

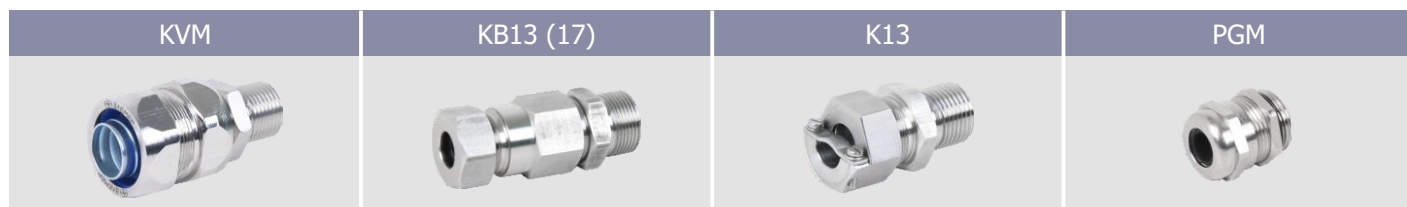
Pressure measurement



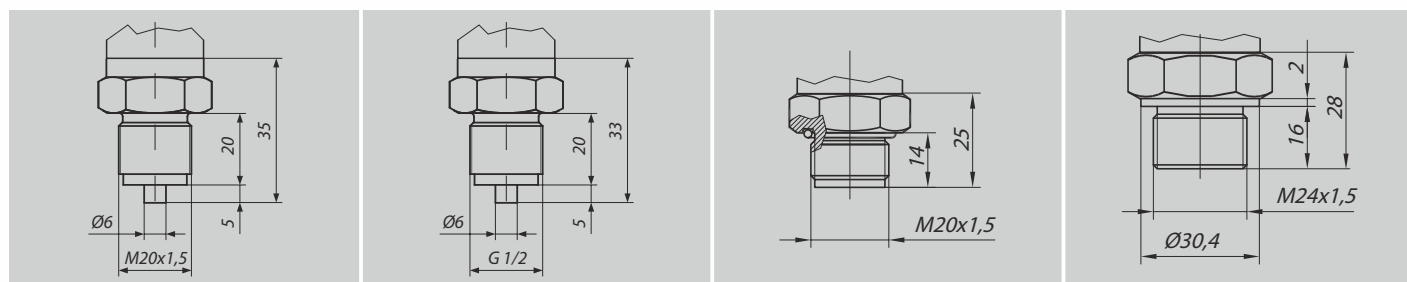
Technical features

Nominal pressure ranges	Absolute pressure	2,5 кPa...16 MPa
	Gauge pressure	0,04 кPa...100 MPa
	Compound pressure	$\pm 0,0315$ кPa...(-0,1...2,4) MPa
	Differential pressure	0,063 кPa...16 MPa
	Hydrostatic pressure	4...250 кPa
Range scaling		1:60
Output		4...20 mA; HART; Modbus RTU
Configuration		Keypad (internal or external), HART interface, square root feature
Accuracy		Down to $\pm 0,075$ %
Operating temperature		-40 to 70 °C, -25 to 80 °C, -55 to 70 °C
Environmental protection		IP65
Explosion hazardous area options		Ex (ExiaIICT5 X, ExibIICT5 X), Exd (1ExdsIIBT4/H2X, 1ExdIICT6 X)
Display		5 digit LCD indicator with backlight, bargraph indicator, 330° rotation
Enclosure		$\pm 135^\circ$ rotation
Sensors		Piezoresistive
EMC		High EMC level/performance feature (according to IEC 61326)
Warranty period		5 years

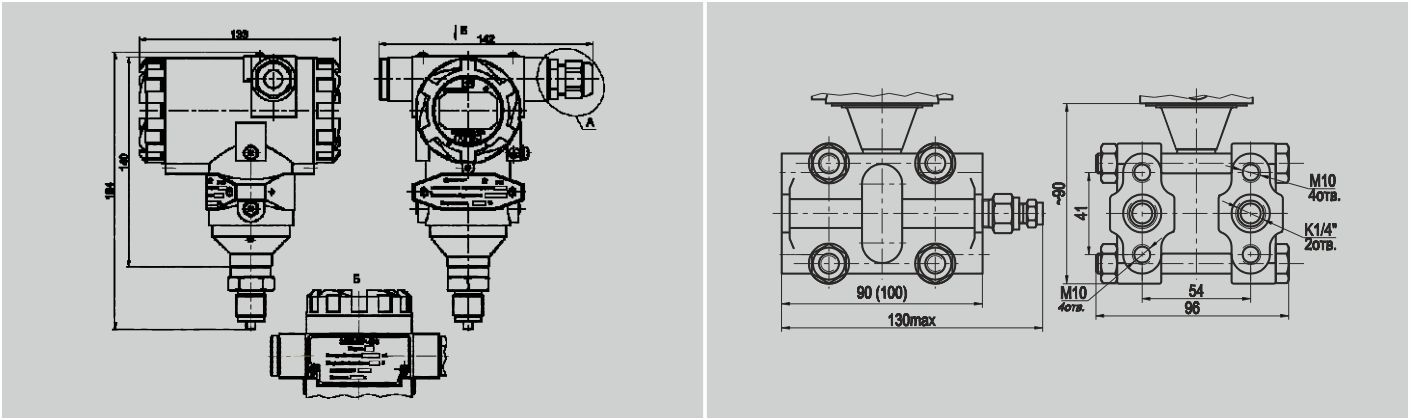
Electrical connections



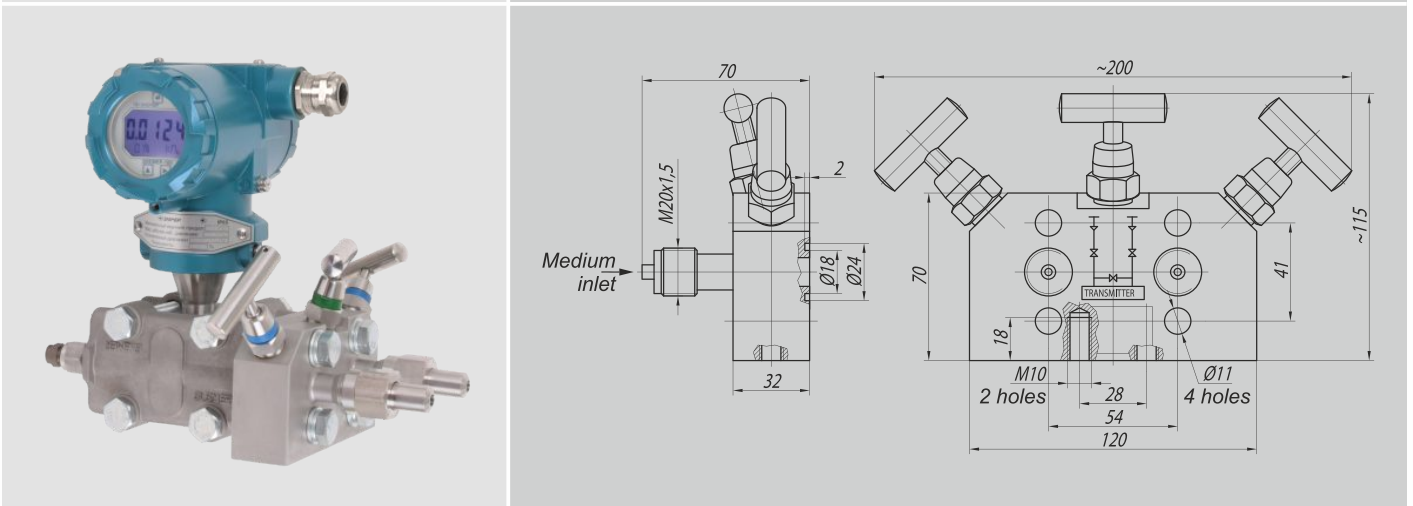
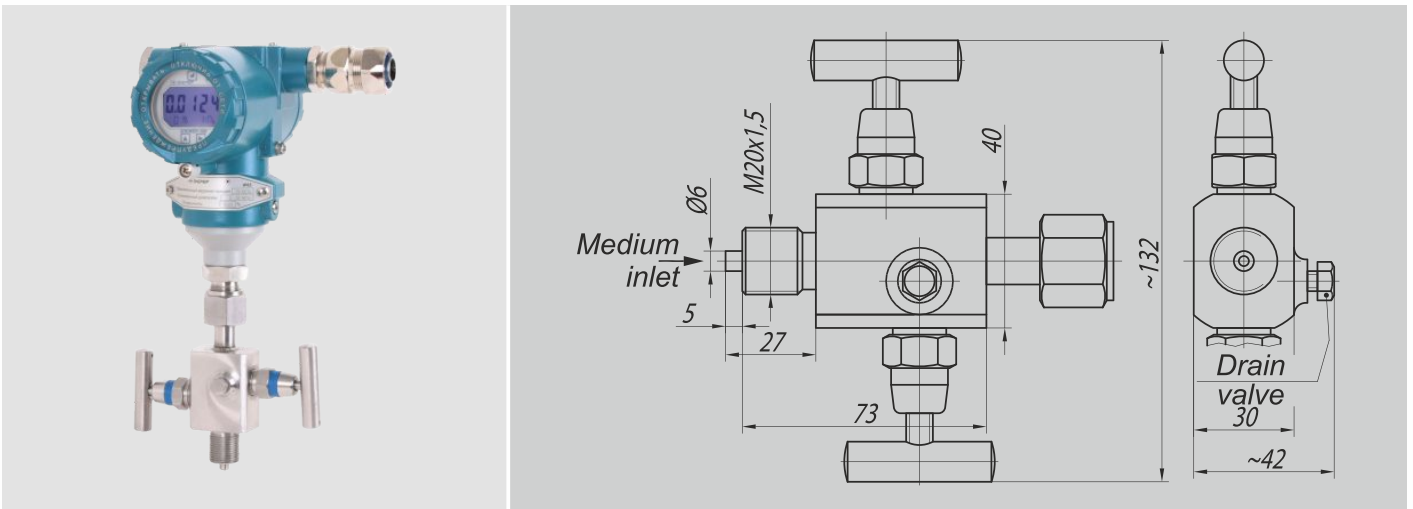
Process connections



Dimensions



Pressure test with a valve device assembly (stop valves)



HART communication tools





ELEMER

ELEMER, lane 4807, bldg. 7/1, Zelenograd, Moscow, Russian Federation

Tel.: +7 (495) 988 48 55, tel. for call from EU: +498007244869

e-mail: elemer@elemer.ru

ELEMER IN EUROPE — Rudolfstr. 3, Osnabrueck, 49080, Germany

Tel.: +49 (0) 541 500 87 147, fax: +49 (0) 541 500 87 148,

e-mail: info@ostin-dvw.de

(OSTIN DVW GmbH)