

TDM 420/M3-5

Technological digital meter

OEM Ability!
Ready For Cooperation!



- ☑ Climatic version $-50...+80\text{ }^{\circ}\text{C}$
- ☑ Explosion-proof versions 1ExdIICT6 and 0ExialIICT6 X
- ☑ Ingress protection rating IP65
- ☑ HART protocol
- ☑ Ergonomic housing
- ☑ Various types of cable entries



Dear Colleagues,

We have developed a new digital process meter TDM 420/M3-5 that is designed for measuring and displaying any physical values converted into a unified current signal 4...20 mA. The device provides transmission of the HART signal.



ELEMER, lane 4807, bldg. 7/1, Zelenograd, Moscow, Russian Federation
Tel.: +7 (495) 988-48-55. Tel. for call from EU: +49 (800) 724-48-69,
e-mail: elemer@elemer.ru

ELEMER IN EUROPE Rudolfstr. 3, Osnabrueck, 49080, Germany
Tel.: +49 (0) 541 500 87 147, fax: +49 (0) 541 500 87 148,
e-mail: info@ostin-dvw.de
(OSTIN DVW GmbH)

www.elemer.ru

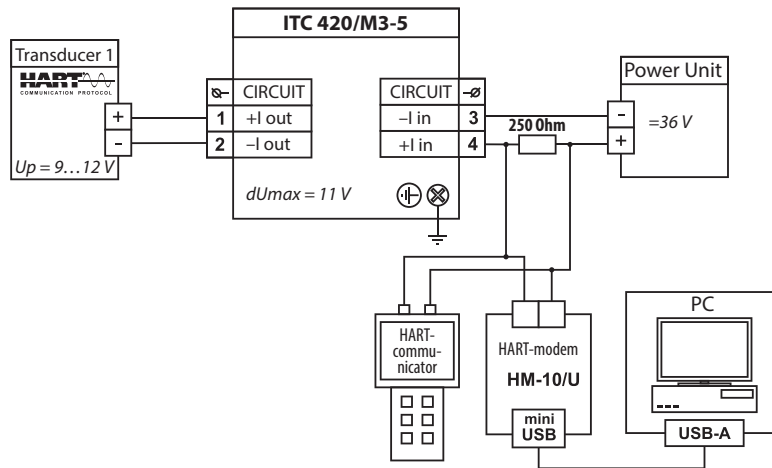
Basic features:

- accuracy $\pm 0.1\%$;
- Ex (0ExialICT6 X), Exd (1 ExdIICT6);
- climatic version $-50\dots+80\text{ }^{\circ}\text{C}$;
- ingress protection ration IP65;
- 4-digit bright LED display;
- configuration from the front panel;
- wall mounting or $\varnothing 50\text{ mm}$ pipe mounting;
- calibration interval 5 years;
- warranty period 3 years.



TDM 420/M3-5 ($\varnothing 50\text{ mm}$ pipe mounting)

Transmission of the HART signal



Several types of cable entries

